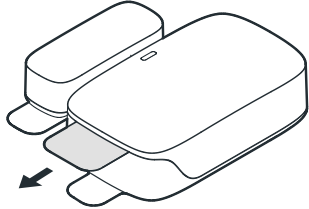
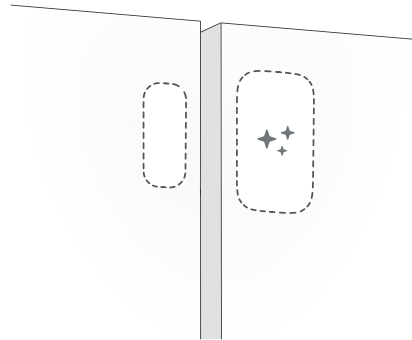


# Installation Guidelines

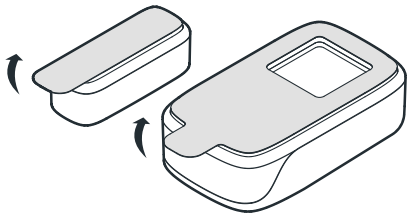
- 1 Pull the battery tab to activate the sensor.



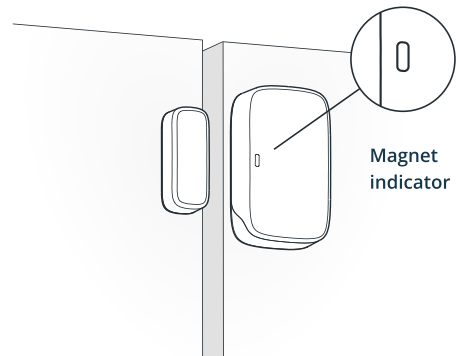
- 2 Make sure the mounting surfaces are clean and dry.



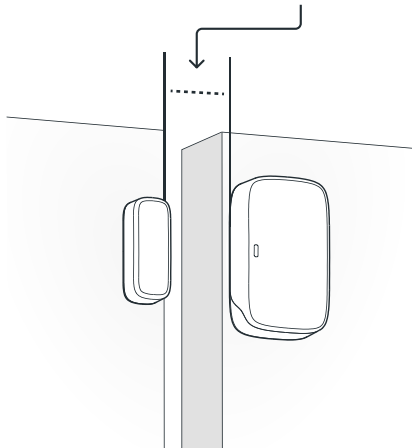
- 3 Remove the adhesive backing from both the sensor and magnet.



- 4 Place the magnet on the same side as the indicator mark. They should be center aligned.

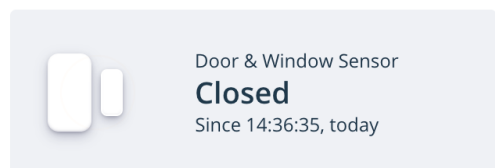
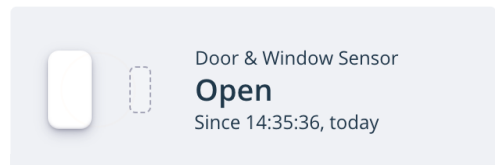


- 5 Ensure gap is less than 30mm (1.2 inches).



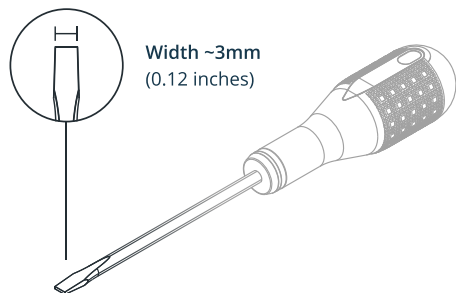
**Note:** Installing on magnetic surfaces can reduce the required gap to 15mm (0.6 inches).

- 6 Test the sensor's performance by opening and closing the door/window while viewing the sensor in Studio.

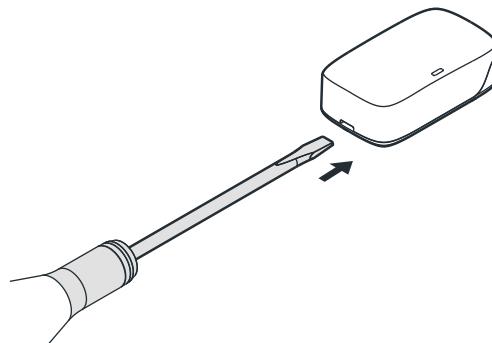


# Battery Replacement

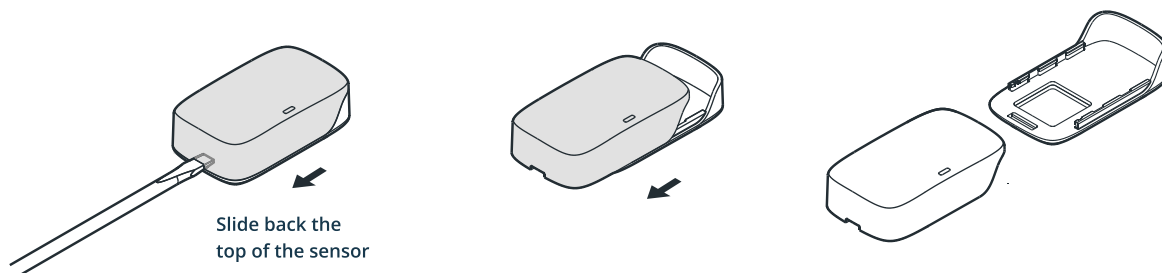
- 1 To unlock the backside of the sensor you will need a small flat head screw driver.



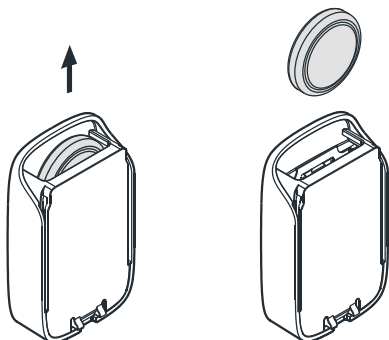
- 2 Locate the small hole on the sensor and insert the tip of the screw driver.



- 3 After inserting the tip of the screw driver, it will be possible to slide back the sensor from the bracket.



- 4 The old battery can now be removed and replaced with a new **BR1632A coin cell battery**. Please note the polarity marking on the backside.



- 5 Finish the battery replacement by sliding the sensor into the bracket until you hear a click confirming it's locked in.

