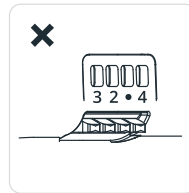
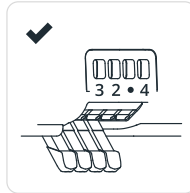
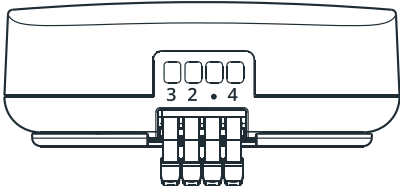
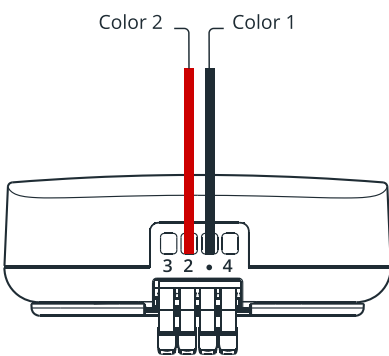


Connection Guidelines

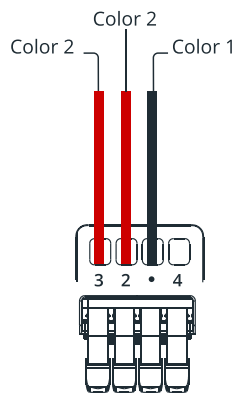
- 1 Open the terminals **fully**, this may require some force.



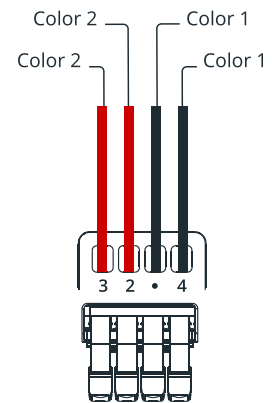
- 2 Insert the cables according to the diagrams below. Colors may differ between manufacturers.



2 Wire

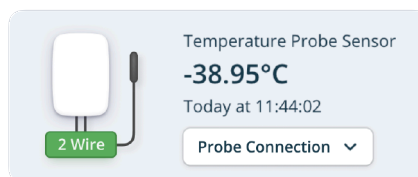
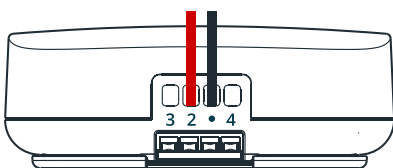


3 Wire



4 Wire

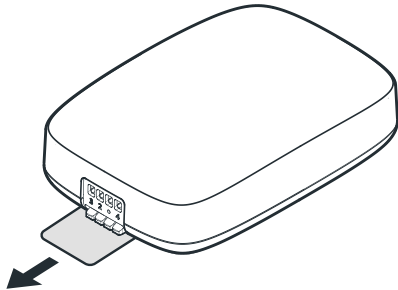
- 3 Close the terminals. Pull on the wires to ensure they have a secure connection.
The sensor will automatically detect the wire configuration and display it in Studio.



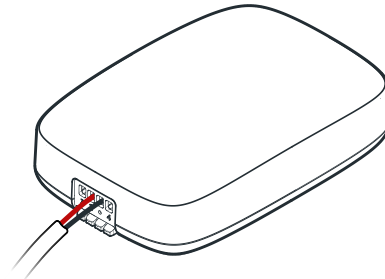
Screenshot from Studio

Installation Guidelines

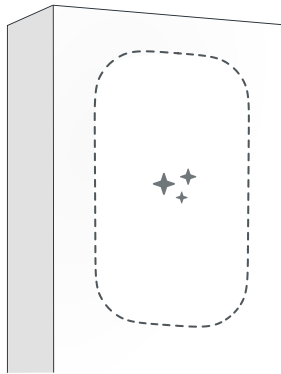
- 1 Pull the battery tab to activate the sensor.



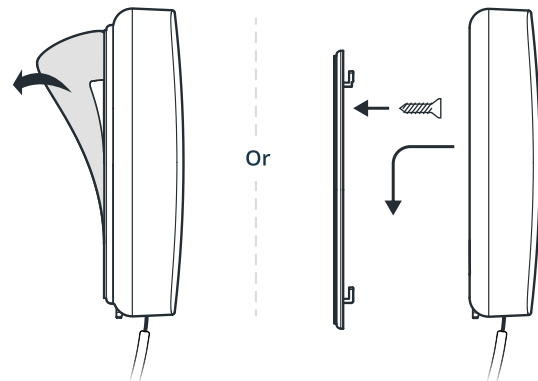
- 2 Connect the PT100 probe according to the guidelines on the previous page.



- 3 Make sure the mounting surface is clean and dry.

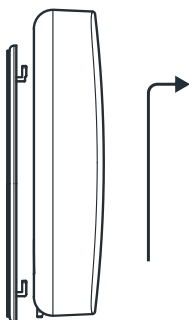


- 4 Mount the sensor using the adhesive backing, or mount the sensor using a screw.



Battery Replacement

- 1 Remove the main housing from the bracket by pushing it upwards.



- 2 Replace the batteries with two new AA type batteries. Pay attention to the polarity.

