



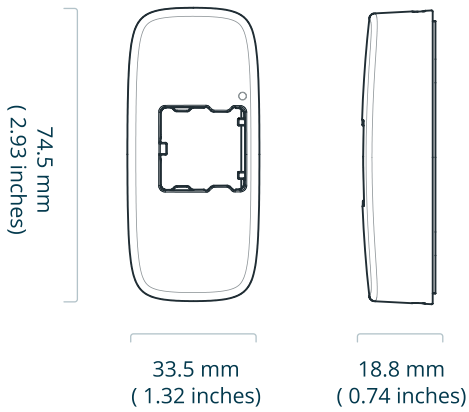
DISRUPTIVE
TECHNOLOGIES



Product Datasheet

Ambient Range Extender

Overview



Description

The Ambient Range Extender is an innovative sensor accessory designed to significantly enhance the wireless range of Wireless Temperature Sensors and Wireless Humidity Sensors, extending their reach by up to 150 meters (492 ft). This makes it an ideal solution for challenging environments where signal strength is crucial or where the standalone sensor's form factor makes it difficult to achieve optimal placement.

Installation

- **Flexible Mounting Options:** Can be mounted using the adhesive backing for easy and quick installation or with zip ties for a more secure attachment.
- **Easy Assembly:** Simply mount the wireless sensor inside the accessory on top of the internal antenna to begin amplifying the wireless range.

Specifications

Mechanical Properties

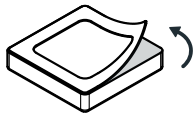
Size	74.5x33.5x18.8mm / 2.93x1.32x0.74 in
Weight	17 grams / 0.6 oz
Material	ABS PA-757
Mounting Method	Adhesive or zip-tie
Adhesive	3M LSE-110WF

Key Features

- **Enhanced Signal Range:** Amplifies the wireless range of compatible sensors, improving distance between sensor and gateway up to 150 meters (492ft).
- **Passive Signal Amplification:** Features an internal antenna that passively boosts the radio signal, ensuring stronger connectivity between the sensor and the gateway.
- **Ideal for Metal Environments:** Especially effective in metal-rich environments such as refrigerators, freezers, or installations on metal surfaces, where signal interference is common.
- **Secure Mounting:** Holds the wireless sensor securely in place, preventing dislodgement or movement.

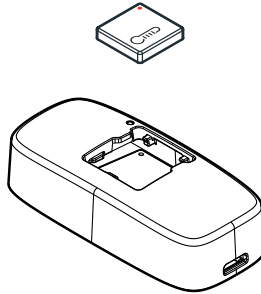
Product Name	Product Number	Region	Order Code
Ambient Range Extender EU	102869	Europe	102869
Ambient Range Extender US	102870	North America	102870

Installation Guidelines



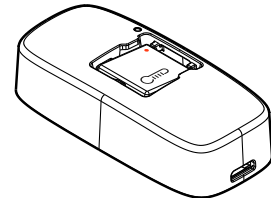
1

Peel the protective film from the back of the sensor.



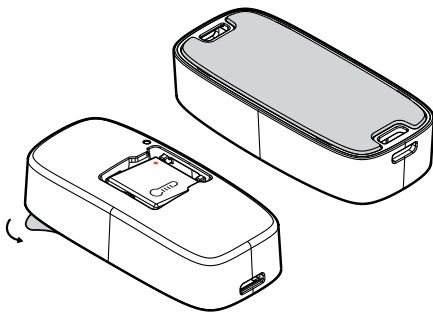
2

Orientation matters: Make sure the dot on the sensor is aligned with the dot on the range extender.



3

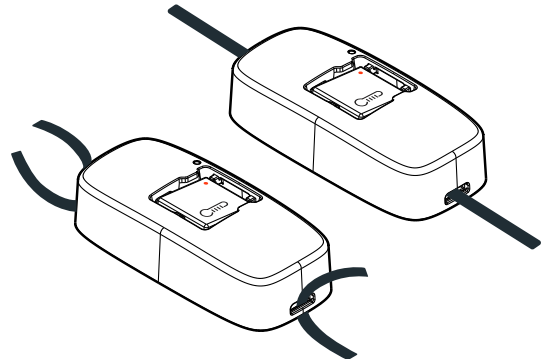
The range extender is now ready for use. Choose one of the mounting methods below.



4

Use the adhesive on the back to attach the range extender in the desired location.

Or



5

Use zip ties to attach the range extender in the desired location.